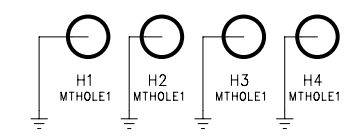
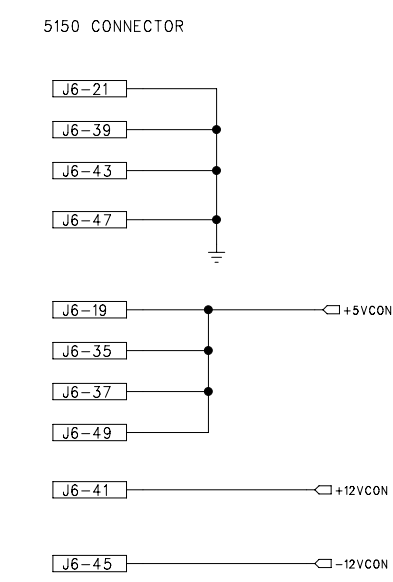
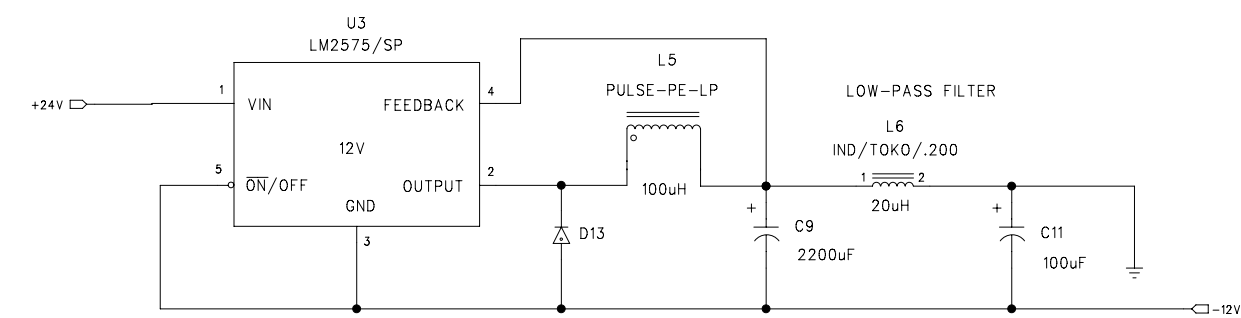
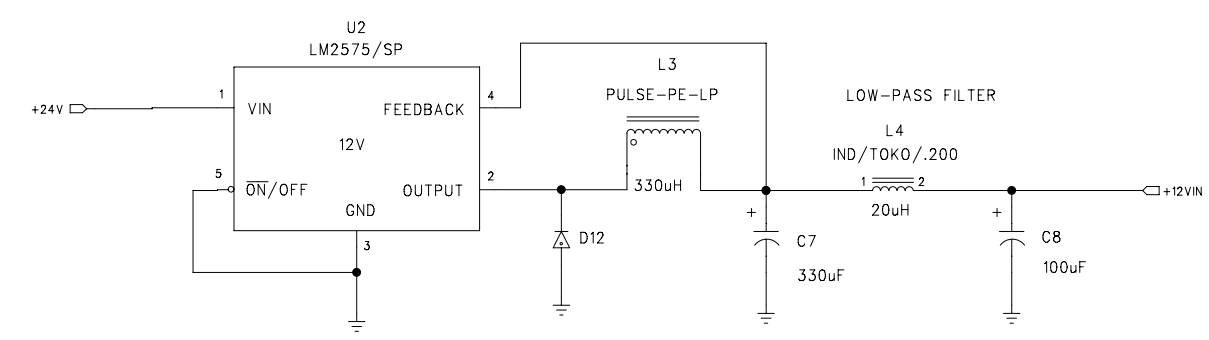
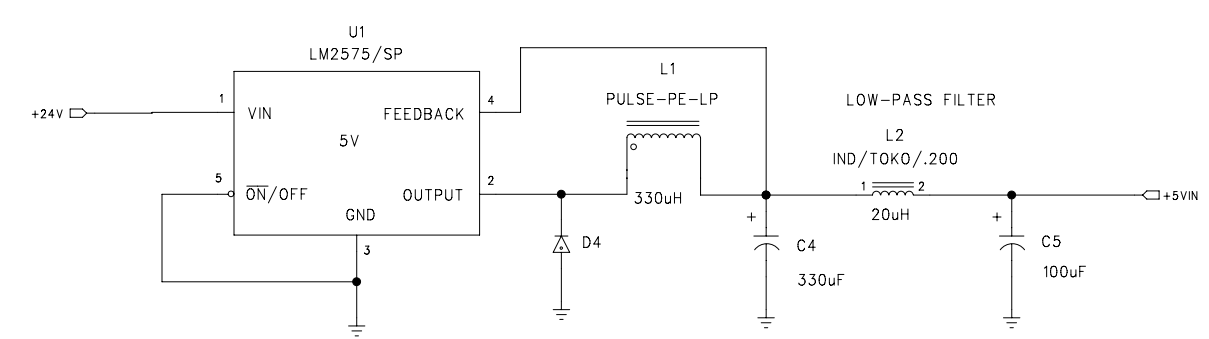
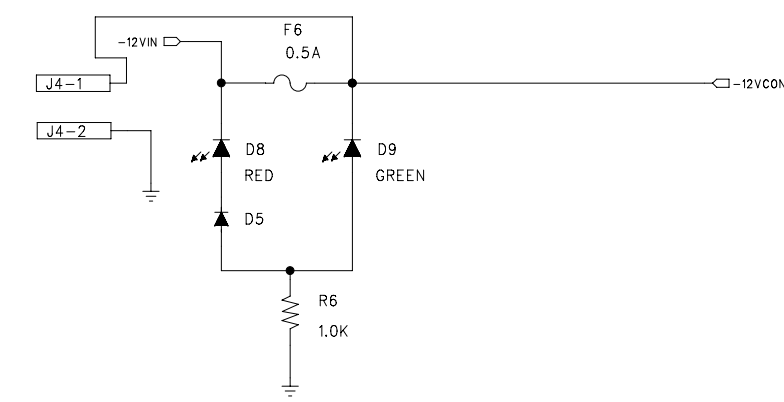
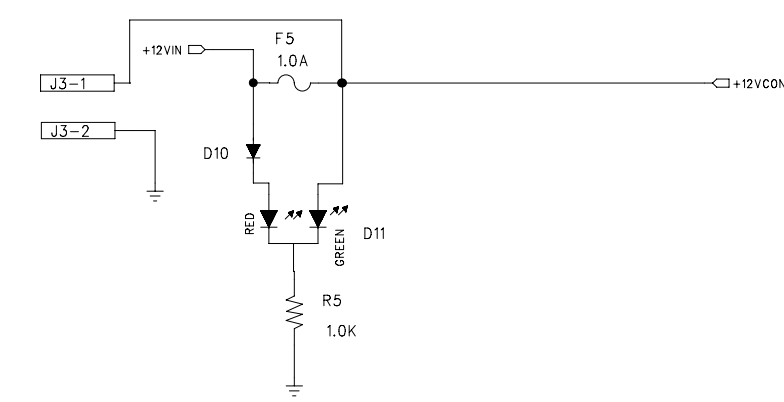
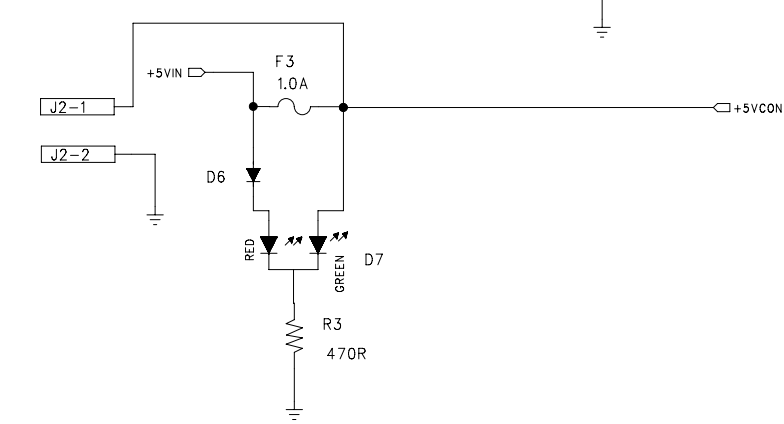
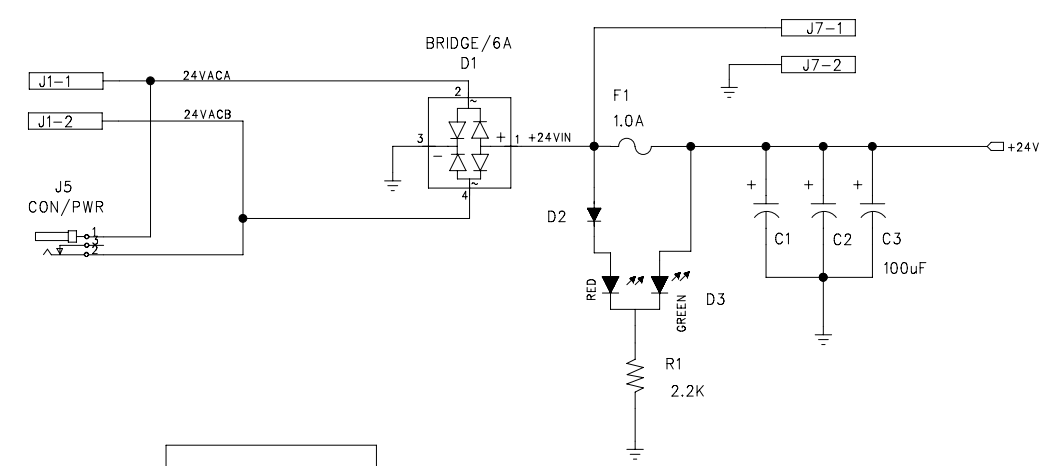


REVISED:



COPYRIGHT 2000 NEW DIMENSIONS TECHNOLOGY  
ENGINEERING CHANGE ORDERS MAY APPLY

ENGINEER	DATE	NEW DIMENSIONS TECHNOLOGY	
DRAWN S.PETTY		SCHEMATIC, 5150 POWERSUPPLY	
APPROVED		DRAWING NO:	REV: B
RELEASED		SHEET:	1 OF 1